



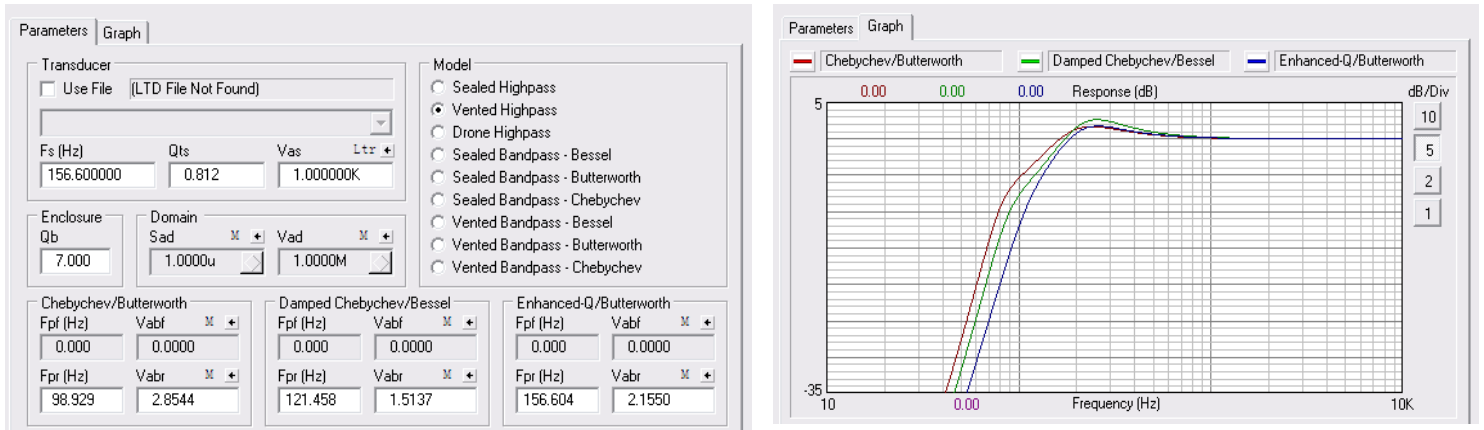
Model Number: JM-AL046046-03-04-C

Spec: 46\*46mm 4Ω 3W

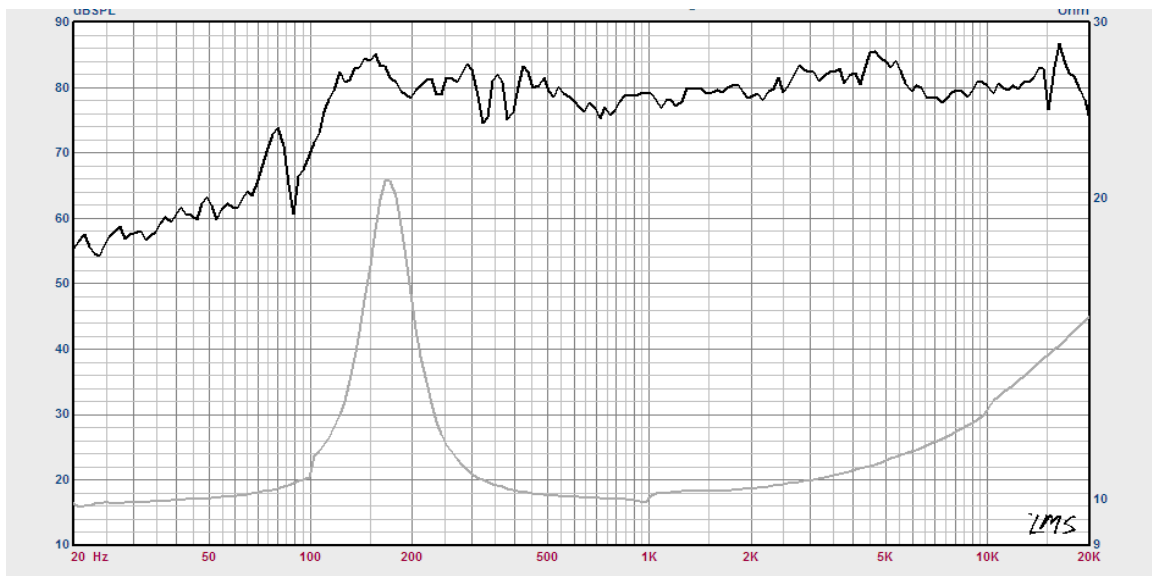
这是一款应用于便携式数码音箱，蓝牙音箱的高效率全频扬声器。支架采用高强度 ABS 材料，有利于磁通集中，减小漏磁。磁路部分采用两个钕磁，增强了磁通密度，提高产品声压特性，同时有效的减小产品体积和重量。振动系统采用较轻的高耐疲劳度材质悬边+进口纸浆胴体，优化听觉效果，弹波采用高顺性材质，有效的降低失真，改善低频辐射特性。



## LEAP Emulational Frequency Response



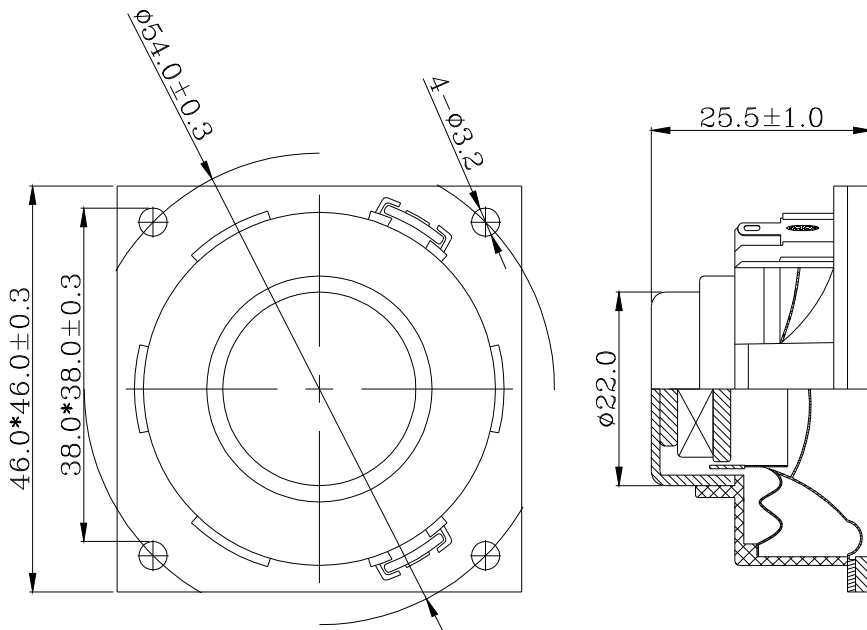
## Frequency and impedance Response



## specifications

DC Resistance	Revc	$\Omega$	3.6	$\pm 7.5\%$	Energy Bandwidth product	EBP	$(1/Qes).fs$	148.6
Minimum impedance	Zmin	$\Omega$	4	$\pm 7.5\%$	Moving Mass	Mms	g	0.766
Voice Coil inductance	Le	mH	1.881		Suspension Compliance	Cms	um/N	1.349
Resonant Frequency	Fs	Hz	156.6	$\pm 20\%$	Effective Cone Diameter	SD	cm	9.62
Mechanical Q factor	Qms	-	3.531		Equivalent Volume	Vas	mL	177.27
Electrical Q factor	Qes	-	1.054		Motor Efficiency Factor	BL	T.M	1.604
Total Q facto	Qts	-	0.812		Voice Coil Former Material	VCfm	-	16.28
Ratio	Fs/Qts	-	192.8		Voice Coil Inner Diameter	VCd	mm	PL
Half Space Sensitivity @	1w/1m	dB	80 $\pm 2$		Gap Height	Gh	mm	2
rated Noise Power(IEC 2685 18.1)	P	W	3		Maximum Linear Excursion	Xmax	mm	1.185
Test Spectrum Bandwidth	FO-20KHz		12dB/Oct		Ferrofluid Type	FF	N/A	NeFeB
					Transducer Size	-	-	46*46
					Transducer Mass	-	g	31.4

## Mechanical 2D Drawing



Shenzhen Jiming Technology Co., Ltd

[www.jmaxx.cn](http://www.jmaxx.cn)