

CE46P-4

1-7/8" Paper Full Range Driver

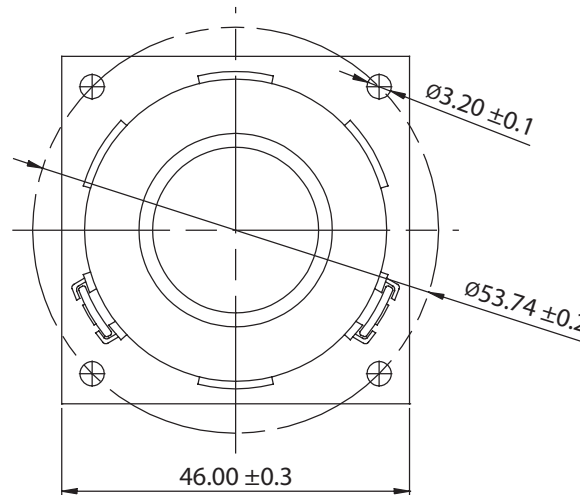
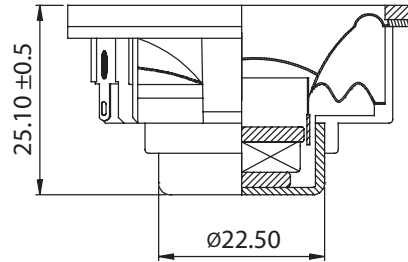


Features

- Lightweight paper cone
- Neodymium motor
- Rubber surround
- Molded plastic frame
- Compact design
- Very wide bandwidth
- Excellent sonic detail

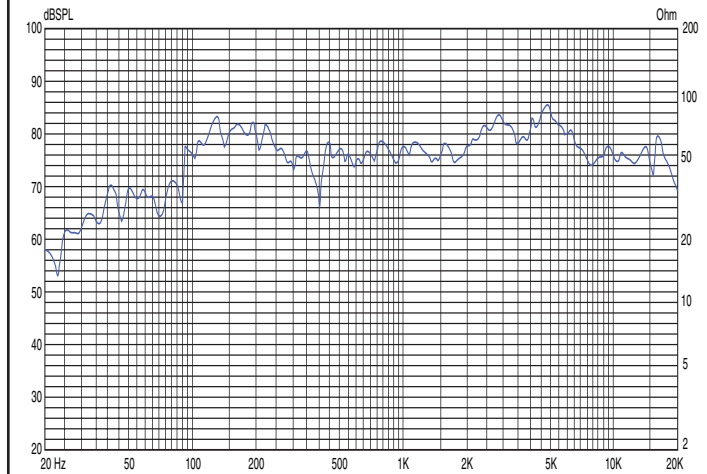
Parameters

Impedance (Ω)	4
Re (Ω)	3.49
Le (mH) @ 1 kHz	0.14
Fs (Hz)	150.1
Qms	4.91
Qes	1.12
Qts	0.91
Mms (g)	1.06
Cms (mm/N)	1.100
Sd (cm ²)	8.353
Vd (cm ³)	0.011
BL (Tm)	1.73
VAS (liters)	0.109
XMAX (mm)	1.3
VC Diameter (mm)	17
SPL (dB@1W/1m)	79.7
RMS Power Handling (w)	3.0
Usable Frequency Range (Hz)	150 - 18,000



Note: All dimensions in mm.

Frequency Response



Note: Due to testing limitations, response below 200 Hz is not an actual representation.

Impedance/Phase

